

C&H SERVICES SBU



RIFOdirt - RS9090

Y Strainer with CI body

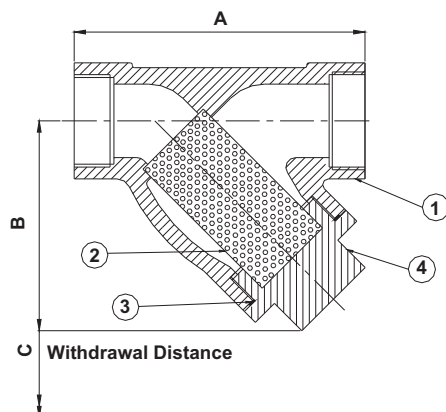
■ What is RIFOdirt - RS9090 ?

The RIFOX strainer RS9090 is a cast iron body 'Y' type strainer with strainer screen of 0.8mm perforated backing.

Material

No.	Component	Material	Specification
1	Body	Cast Iron	IS 210 Gr. FG260
2	Strainer Screen*	St. Steel	ASTM A240 TP 304
3	Gasket *	St. Steel + Graphite	ASTM A240 TP 304 + Graphite
4	Strainer Cap	Cast Steel	ASTM A216 Gr. WCB

* Spares available on request



Body Design Conditions

Parameter	Value
Maximum Operating Pressure - PMO (kg/cm ²)	13.2
Maximum Operating Temperature - TMO (°C)	220
Hyd. Test (kg/cm ²)	26.4

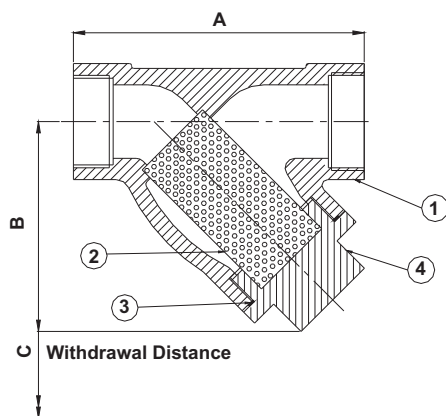
Sizes : DN15, DN20 and DN25

Certifications : IBR

End Connections :

Screwed NPT is standard, other end connections available on request.

Screwed on flanges to ANSI / DIN (Optional)



Dimensions & Weight

Size	A	B	C	Weight
DN 15 (½")	76	75	95	0.9
DN 20 (¾")	125	100	125	1.9
DN 25 (1")	125	100	125	1.8
DN 40 (1 ½")	146	168	190	4.6
DN 50 (2")	184	200	190	7.6

Ordering Guidance

RS9090 - Size - End Connection - IBR / Non IBR

A product of RIFOX GmbH - A THERMAX group company

For more information, please get in touch with your nearest Thermax representative. You can also mail us at info.c&hservices@thermaxindia.com or visit us at : www.thermaxindia.com.

In view of our constant endeavor to improve the quality of our products, we reserve the right to alter or change specifications without prior notice. All photographs shown in this publication are representative in purpose, and to be used for reference only. For actual details and specifications, please refer to Thermax offer document.



THERMAX

Sustainable Solutions in
Energy & Environment

COOLING & HEATING DIVISION
Services SBU

D - 13, MIDC Industrial Area, R. D. Aga Road,
Chinchwad, Pune 411 019. INDIA

Tel. : +91-20-2747 5941

Fax : +91-20-2747 7080

E-mail : info.c&hservices@thermaxindia.com

AHMEDABAD 380 006

Tel. : (079) 2657 5408 / 5341 / 7073

Fax : (079) 2657 7270

E-mail : aadmin@thermaxindia.com

BANGALORE 560 001

Tel. : (080) 2237 1721- 25

Fax : (080) 2237 1726

E-mail : adminblr@thermaxindia.com

CHENNAI 600 018

Tel. : (044) 2430 3400

Fax : (044) 2435 3841

E-mail : chennaidivsupp@thermaxindia.com

HYDERABAD 500 081

Tel. : (040) 2325 3700

Fax : (040) 2325 3799

E-mail : hyd_sec@thermaxindia.com

MUMBAI 400 039

Tel. : (022) 6754 2222, 2285 2058

Fax : (022) 2204 0859

E-mail : madmin@thermaxindia.com

NEW DELHI 110 034

Tel. : (011) 4608 7200

Fax : (011) 2614 8662

E-mail : psupport@thermaxindia.com

KOLKATA 700 019

Tel. : (033) 2282 6711 - 13

Fax : (033) 2282 6796

E-mail : dipudas@thermaxindia.com

International Offices:

MIDDLE EAST (DUBAI)

Tel: +9714-8861424; E-mail:

info@thermaxdubai.ae

SOUTH EAST ASIA (MALAYSIA)

Tel: +60127798493

Email: thermax@tm.net.my

HO, AFRICA, SAARC & OTHER COUNTRIES

Tel: +91-20-6615 5000

Email: info.c&hservices@thermaxindia.com

International offices:

Indonesia, Russia, Kazakstan, Saudi Arabia,

Bangladesh, Sri Lanka, Hong Kong, China,

Thailand, Malaysia, Philippines, UAE, Kenya,

Nigeria, Brazil, UK, USA

Thermax Business Portfolio

Boilers & Heaters

Absorption Cooling

Air Pollution Control

Captive Power

Chemicals

Water & Waste Solutions